

Data sheet

# Pressure switch

## KP



KP pressure switches are for use in refrigeration and air conditioning systems to give protection against excessively low suction pressure or excessively high discharge pressure.

KP pressure switches are also used for starting and stopping refrigeration compressors and fans on air-cooled condensers.

A KP pressure switch can be connected directly to a single-phase AC motor of up to approx. 2 kW or installed in the control circuit of DC motors and large AC motors.

KP pressure switches are fitted with a single-pole double-throw (SPDT) switch. The position of the switch is determined by the pressure switch setting and the pressure at the connector. KP pressure switches are available in IP30, IP44 and IP55 enclosures.

### Features

- Ultra-short bounce time thanks to snap-action function (reduces wear to a minimum and increases reliability)
- Manual trip function (electrical contact function can be tested without the use of tools)
- Types KP 6, KP 7 and KP 17 with fail-safe double bellows element
- Vibration and shock resistant
- Compact design
- Fully welded bellows element
- High reliability both electrically and mechanically

### Approvals

CE-marked in accordance with:  
 – LVD 2006/95/EC  
 (EN 60947-1, EN 60947-4-1, EN 60947-5-1)  
 – PED 97/23/EC, category IV (EN 12263):  
 KP 1, KP 2, KP 6, KP 7 and KP 17

Underwriters Laboratories Inc., UL listed  
 China Compulsory Certificate, CCC

### Ship approvals

Germanischer Lloyd, GL  
 Det Norske Veritas, Norway, DNV  
 Registro Italiano Navale, RINA

Bureau Veritas, BV  
 Lloyd's Register, LR  
 Russian Maritime Register of Shipping, RMRS

**Technical data**

|  |                            |                                       |
|--|----------------------------|---------------------------------------|
| Ambient temperature                      |                            | -40 – 65 °C (80 °C for max. 2 hours). |
| Ambient temperature (PED approved units) |                            | -25 – 65 °C (80 °C for max. 2 hours). |
| Max. working pressure                    |                            | LP: PS / MWP = 17 bar                 |
|  |                            | HP: PS / MWP = 35 bar                 |
|  |                            | KP 6: PS / MWP = 46.5 bar             |
| Max. test pressure                       |                            | LP: P <sub>e</sub> = 20 bar           |
|  |                            | HP: P <sub>e</sub> = 35 bar           |
|  |                            | KP 6: P <sub>e</sub> = 46.5 bar       |
| Contact load                             | Alternating current        | AC1 = 16 A, 400 V                     |
|  |                            | AC3 = 16 A, 400 V                     |
|  |                            | AC15 = 10 A, 400 V                    |
|  | Direct current             | DC13 = 12 W, 220 V control current    |
| Wire dimensions                          | solid / stranded           | 0.75 – 2.5 mm <sup>2</sup>            |
|  | flexible, without ferrules | 0.7 – 2.5 mm <sup>2</sup>             |
|  | flexible, with ferrules    | 0.5 – 1.5 mm <sup>2</sup>             |
| Tightening torque                        |                            | max. 2 Nm                             |
| Rated impulse voltage                    |                            | 4 kV                                  |
| Pollution degree                         |                            | 3                                     |
| Short circuit protection, fuse           |                            | 16 A                                  |
| Insulation                               |                            | 400 V                                 |
| Enclosure                                |                            | IP30 / IP44 / IP55                    |

**Contact systems**

| Low pressure (LP)   | High pressure (HP)  |  |
|---|---|--|
| <p>SPDT<br/>16A 1 2 4<br/>DANFOSS<br/>AB0-943.13</p>          | <p>SPDT<br/>16A 1 2 4<br/>DANFOSS<br/>AB0-944.13</p>                              |  |
| Dual pressure (LP/HP)   | Dual pressure (LP/HP)   | Dual pressure (HP/HP)  |
| <p>SPDT+LP signal<br/>16A A B C<br/>DANFOSS<br/>60-591.15</p> | <p>SPDT+LP+HP signal<br/>16A A B C D<br/>MAX 50 VA<br/>DANFOSS<br/>AB0-593.14</p> | <p>SPST<br/>16A B C A<br/>S B<br/>DANFOSS<br/>AB0-506.17</p> |

**Technical data**  
(continued)

**Cable connection**

The cable entry can be used for 6 – 14 mm dia. cables. A Pg 13.5 screwed cable entry can also be used for 6 – 14 mm cable. With 8 – 16 mm cable a standard Pg 16 screwed cable entry can be used.

**Enclosure**

IP30 to EN 60529 / IEC 60529

Enclosure IP30 is obtained when the units without top cover are mounted on a flat surface or bracket. The bracket must be fixed to the unit so that all unused holes are covered.

IP44 to EN 60529 / IEC 60529

Enclosure IP44 is obtained when the units with top cover are mounted on a flat surface or bracket. The bracket must be fixed to the unit so that all unused holes are covered.

KP pressure switches with auto reset are supplied with top cover. For KP pressure switches with manual reset, the top cover must be separately ordered (**code no. 060-109766** for single pressure switches and **code no. 060-109866** for dual pressure switches).

IP55 to EN 60529 / IEC 60529

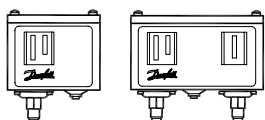
IP55 is obtained when the KP pressure switches are mounted in an IP55 enclosure,

(**code no. 060-033066** for single pressure switches and **code no. 060-035066** for dual pressure switches).

IP55 enclosure has to be ordered separately.

**Materials in contact with the medium**

| Type  | Material  |
|---|---|
| KP 1, KP 2, KP 5, KP 6, KP 7, KP 15 and KP 17 | Tinbronze, no. CW452K, EN 1652                                  |
|   | Nickel plated free cutting steel, no. 1.0737 / 1.0718, EN 10277 |
| KP 1A, KP 5A, KP 6A, KP 7A and KP 15A only    | Stainless steel 18/8, no. 1.4306, EN 10088-2                    |
|   | Free cutting steel, no. 1.0737, EN 10277                        |
|   | Cold forming steel, no. 1.0338, EN 10139                        |
|   | Steel, no 1.0308, EN 10305                                      |
|   | Free cutting steel, no. 1.0715, EN10277                         |
|   | Free cutting steel, no. 1.0718, EN 10277                        |
|   | Aluminium, no. AW-3005, EN 573                                  |

**Ordering**

*For HCFC and non-flammable HFC refrigerants*

| Pressure | Type         | Low pressure (LP)      |                               | High pressure (HP)     |                               | Reset               |                     | Contact system          | Code no.                          |                                 |                                 |
|----------|--------------|------------------------|-------------------------------|------------------------|-------------------------------|---------------------|---------------------|-------------------------|-----------------------------------|---------------------------------|---------------------------------|
|          |              | Regulating range [bar] | Differential $\Delta p$ [bar] | Regulating range [bar] | Differential $\Delta p$ [bar] | Low pressure LP     | High pressure HP    |                         | Connection                        |                                 |                                 |
|          |              |                        |                               |                        |                               |                     |                     |                         | 1/4 in. 6 mm flare                | 1/4 in. ODF solder              | 6 mm ODF solder                 |
| Low      | <b>KP 1</b>  | -0.2 – 7.5             | 0.7 – 4.0                     | –                      | –                             | Auto                | –                   | SPDT                    | <b>060-110166</b> <sup>3)</sup>   | <b>060-111266</b> <sup>3)</sup> | <b>060-111066</b> <sup>3)</sup> |
| Low      | <b>KP 1</b>  | -0.2 – 7.5             | 0.7 – 4.0                     | –                      | –                             | Auto                | –                   | SPDT                    | <b>060-114166</b> <sup>1)3)</sup> | –                               | –                               |
| Low      | <b>KP 1</b>  | -0.9 – 7.0             | 0.7                           | –                      | –                             | Man. (Min.)         | –                   | SPDT                    | <b>060-110366</b>                 | <b>060-111166</b>               | <b>060-110966</b>               |
| Low      | <b>KP 2</b>  | -0.2 – 5.0             | 0.4 – 1.5                     | –                      | –                             | Auto                | –                   | SPDT                    | <b>060-112066</b> <sup>3)</sup>   | –                               | <b>060-112366</b> <sup>3)</sup> |
| High     | <b>KP 5</b>  | –                      | –                             | 8 – 32                 | 1.8 – 6.0                     | –                   | Auto                | SPDT                    | <b>060-117166</b> <sup>3)</sup>   | <b>060-117966</b> <sup>3)</sup> | <b>060-117766</b> <sup>3)</sup> |
| High     | <b>KP 5</b>  | –                      | –                             | 8 – 32                 | 3                             | –                   | Man. (Max.)         | SPDT                    | <b>060-117366</b>                 | <b>060-118066</b>               | –                               |
| Dual     | <b>KP 15</b> | -0.2 – 7.5             | 0.7 – 4.0                     | 8 – 32                 | 4                             | Auto                | Auto                | SPDT + LP signal        | <b>060-124166</b> <sup>3)</sup>   | <b>060-125466</b> <sup>3)</sup> | –                               |
| Dual     | <b>KP 15</b> | -0.2 – 7.5             | 0.7 – 4.0                     | 8 – 32                 | 4                             | Auto                | Man. (Max.)         | SPDT + LP signal        | <b>060-124366</b>                 | –                               | –                               |
| Dual     | <b>KP 15</b> | -0.2 – 7.5             | 0.7 – 4.0                     | 8 – 32                 | 4                             | Auto                | Man. (Max.)         | SPDT + LP signal        | <b>060-114866</b> <sup>1)</sup>   | –                               | –                               |
| Dual     | <b>KP 15</b> | -0.9 – 7.0             | 0.7                           | 8 – 32                 | 4                             | Man. (Min.)         | Man. (Max.)         | SPDT + LP signal        | <b>060-124566</b>                 | –                               | –                               |
| Dual     | <b>KP 15</b> | -0.9 – 7.0             | 0.7                           | 8 – 32                 | 4                             | Conv. <sup>2)</sup> | Conv. <sup>2)</sup> | SPDT + LP signal        | <b>060-126166</b>                 | –                               | –                               |
| Dual     | <b>KP 15</b> | -0.2 – 7.5             | 0.7 – 4.0                     | 8 – 32                 | 4                             | Auto                | Auto                | SPDT + LP and HP signal | <b>060-126566</b> <sup>3)</sup>   | <b>060-129966</b> <sup>3)</sup> | –                               |
| Dual     | <b>KP 15</b> | -0.2 – 7.5             | 0.7 – 4.0                     | 8 – 32                 | 4                             | Auto                | Man. (Max.)         | SPDT + LP and HP signal | <b>060-126466</b>                 | <b>060-128466</b>               | –                               |
| Dual     | <b>KP 15</b> | -0.2 – 7.5             | 0.7 – 4.0                     | 8 – 32                 | 4                             | Conv. <sup>2)</sup> | Conv. <sup>2)</sup> | SPDT + LP and HP signal | <b>060-115466</b> <sup>3)</sup>   | <b>060-001066</b> <sup>3)</sup> | –                               |
| Dual     | <b>KP 15</b> | -0.9 – 7.0             | 0.7                           | 8 – 32                 | 4                             | Conv. <sup>2)</sup> | Conv. <sup>2)</sup> | SPDT + LP and HP signal | <b>060-122066</b>                 | –                               | –                               |

*For R717, HCFC and non-flammable HFC refrigerants*

| Pressure | Type          | Low pressure (LP)      |                               | High pressure (HP)     |                               | Reset               |                     | Contact system          | Code no.          |                                 |
|----------|---------------|------------------------|-------------------------------|------------------------|-------------------------------|---------------------|---------------------|-------------------------|-------------------|---------------------------------|
|          |               | Regulating range [bar] | Differential $\Delta p$ [bar] | Regulating range [bar] | Differential $\Delta p$ [bar] | Low pressure LP     | High pressure HP    |                         | Connection        |                                 |
|          |               |                        |                               |                        |                               |                     |                     |                         | M10 × 0.75        | 1 m cap. tube with M10 × 0.75   |
| Low      | <b>KP 1A</b>  | -0.2 – 7.5             | 0.7 – 4.0                     | –                      | –                             | Auto                | –                   | SPDT                    | <b>060-116266</b> | <b>060-116066</b> <sup>3)</sup> |
| Low      | <b>KP 1A</b>  | -0.9 – 7.0             | 0.7                           | –                      | –                             | Man. (Min.)         | –                   | SPDT                    | –                 | <b>060-116166</b>               |
| High     | <b>KP 5A</b>  | –                      | –                             | 8 – 32                 | 1.8 – 6.0                     | –                   | Auto                | SPDT                    | –                 | <b>060-123066</b> <sup>3)</sup> |
| High     | <b>KP 5A</b>  | –                      | –                             | 8 – 32                 | 3                             | –                   | Man. (Max.)         | SPDT                    | <b>060-115366</b> | <b>060-123166</b>               |
| Dual     | <b>KP 15A</b> | -0.2 – 7.5             | 0.7 – 4.0                     | 8 – 32                 | 4                             | Auto                | Auto                | SPDT + LP and HP signal | <b>060-129566</b> | <b>060-129366</b> <sup>3)</sup> |
| Dual     | <b>KP 15A</b> | -0.2 – 7.5             | 0.7 – 4.0                     | 8 – 32                 | 4                             | Auto                | Man. (Max.)         | SPDT + LP and HP signal | <b>060-129666</b> | <b>060-129466</b>               |
| Dual     | <b>KP 15A</b> | -0.9 – 7.0             | 0.7                           | 8 – 32                 | 4                             | Conv. <sup>2)</sup> | Conv. <sup>2)</sup> | SPDT + LP signal        | –                 | <b>060-128366</b>               |

<sup>1)</sup> Pressure switches with gold-plated contacts

<sup>2)</sup> Conv.: optional automatic or manual reset

<sup>3)</sup> Enclosure IP44

**Data sheet | Pressure switch, KP**

**Pressure switches PED 97/23/EC approved; EN 12263**

For HCFC and non-flammable HFC refrigerants

| Pressure | Type <sup>1)</sup> | Low pressure (LP)      |                       | High pressure (HP)     |                       | Reset           |                            | Contact system          | Code no.                                   |                          |
|----------|--------------------|------------------------|-----------------------|------------------------|-----------------------|-----------------|----------------------------|-------------------------|--|--------------------------|
|          |                    | Regulating range [bar] | Differential Δp [bar] | Regulating range [bar] | Differential Δp [bar] | Low pressure LP | High pressure HP           |                         | Connection                                 |                          |
|          |                    |                        |                       |                        |                       |                 |                            |                         | <sup>1</sup> / <sub>4</sub> in. 6 mm flare | 6 mm ODF solder          |
| Low      | KP 1               | -0.2 – 7.5             | 0.7 – 4.0             | –                      | –                     | Auto            | –                          | SPDT                    | 060-110166 <sup>2)</sup>                   | 060-111066 <sup>2)</sup> |
| Low      | KP 1               | -0.9 – 7               | 0.7                   | –                      | –                     | Man. (Min.)     | –                          | SPDT                    | 060-110366                                 | 060-110966               |
| Low      | KP 2               | -0.2 – 5               | 0.4 – 1.5             | –                      | –                     | Auto            | –                          | SPDT                    | 060-112066 <sup>2)</sup>                   | 060-112366 <sup>2)</sup> |
| High     | KP 6W              | –                      | –                     | 8 – 42                 | 4 – 10                | –               | Auto                       | SPDT                    | 060-519066 <sup>2)</sup>                   | –                        |
| High     | KP 6B              | –                      | –                     | 8 – 42                 | 4                     | –               | Man. (Max.)                | SPDT                    | 060-519166                                 | –                        |
| High     | KP 7W              | –                      | –                     | 8 – 32                 | 4 – 10                | –               | Auto                       | SPDT                    | 060-119066 <sup>2)</sup>                   | 060-120366 <sup>2)</sup> |
| High     | KP 7B              | –                      | –                     | 8 – 32                 | 4                     | –               | Man. (Max.)                | SPDT                    | 060-119166                                 | –                        |
| High     | KP 7S              | –                      | –                     | 8 – 32                 | 4                     | –               | Man. (Max.)                | SPDT                    | 060-119266 <sup>2)</sup>                   | –                        |
| Dual     | KP 7BS             | –                      | –                     | 8 – 32                 | 4                     | –               | Man. (Max.)<br>Man. (Max.) | SPST                    | 060-120066                                 | –                        |
| Dual     | KP 17W             | -0.2 – 7.5             | 0.7 – 4               | 8 – 32                 | 4                     | Auto            | Auto                       | SPDT + LP and HP signal | 060-127566 <sup>2)</sup>                   | 060-127666 <sup>2)</sup> |
| Dual     | KP 17W             | -0.2 – 7.5             | 0.7 – 4               | 8 – 32                 | 4                     | Auto            | Auto                       | SPDT+ LP signal         | 060-126766 <sup>2)</sup>                   | –                        |
| Dual     | KP 17B             | -0.2 – 7.5             | 0.7 – 4               | 8 – 32                 | 4                     | Auto            | Man. (Max.)                | SPDT                    | 060-126866                                 | 060-127466               |
| Dual     | KP 17WB            | -0.2 – 7.5             | 0.7 – 4               | 8 – 32                 | 4                     | Auto            | Conv. <sup>4)</sup>        | SPDT + LP and HP signal | 060-539766 <sup>2)3)</sup>                 | –                        |

For R717, HCFC and non-flammable HFC refrigerants

| Pressure | Type    | Low pressure (LP)      |                       | High pressure (HP)     |                       | Reset           |                            | Contact system | Code no.   |                               |
|----------|---------|------------------------|-----------------------|------------------------|-----------------------|-----------------|----------------------------|----------------|------------|-------------------------------|
|          |         | Regulating range [bar] | Differential Δp [bar] | Regulating range [bar] | Differential Δp [bar] | Low pressure LP | High pressure HP           |                | Connection |                               |
|          |         |                        |                       |                        |                       |                 |                            |                | M10 × 0.75 | 1 m cap. tube with M10 × 0.75 |
| Low      | KP 1A   | -0.2 – 7.5             | 0.7 – 4.0             | –                      | –                     | Auto            | –                          | SPDT           | 060-116266 | 060-116066 <sup>2)</sup>      |
| Low      | KP 1A   | 0.9 – 7                | Fixed 0.7             | –                      | –                     | Man. (Min.)     | –                          | SPDT           | –          | 060-116166                    |
| Dual     | KP 7ABS | –                      | –                     | 8 – 32                 | Fixed 4               | –               | Man. (Max.)<br>Man. (Max.) | SPST           | –          | 060-120566                    |

<sup>1)</sup> W = PSH (pressure switch), B = PZH (pressure switch with ext. reset),

S = PZHH (pressure switch with int. reset)

<sup>2)</sup> Enclosure IP44

<sup>3)</sup> Factory setting: LP side: Range 1 bar Pe, Diff. 1 bar;

HP side: Range 18 bar Pe, Diff. 4 bar fixed

<sup>4)</sup> Conv.: optional automatic or manual reset

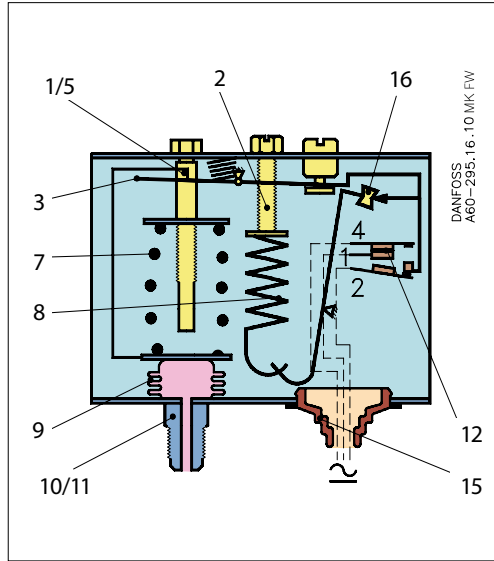
**Pressure switch setting with convertible reset**

|                      |                            |                 |                 |                 |
|----------------------|----------------------------|-----------------|-----------------|-----------------|
|                      |                            |                 |                 |                 |
| <b>Low pressure</b>  | Manual reset <sup>1)</sup> | Automatic reset | Automatic reset | Manual reset    |
| <b>High pressure</b> | Manual reset <sup>1)</sup> | Manual reset    | Automatic reset | Automatic reset |

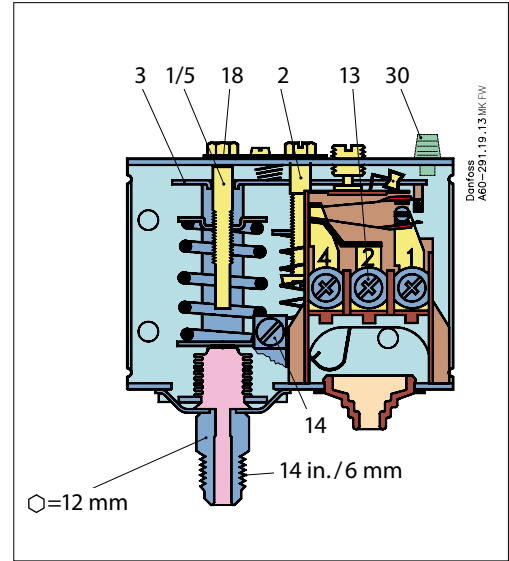
<sup>1)</sup> Factory setting

Design / Function

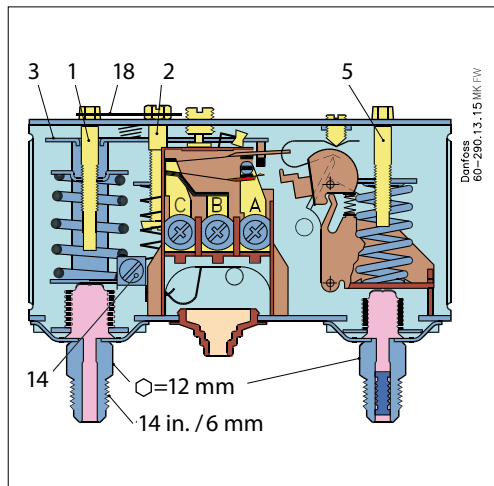
Pressure switch, type KP



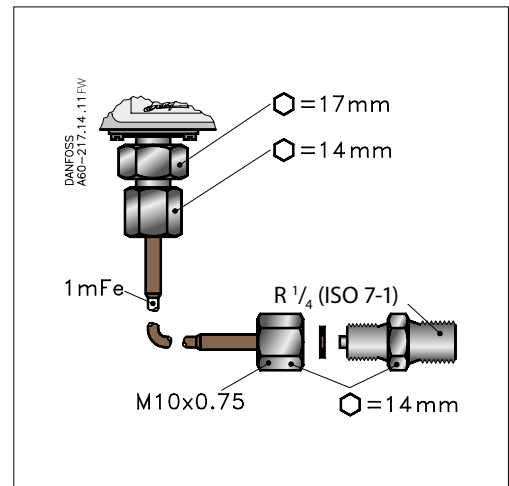
KP 1, KP 2, KP 5



KP 15



Capillary tube for KP 1A, KP 5A and KP 15A



1. Low pressure (LP) setting spindle
2. Differential setting spindle, (LP)
3. Main arm
5. High pressure (HP) setting spindle
7. Main spring
8. Differential spring
9. Bellows
10. LP connection
11. HP connection
12. Switch
13. Terminals
14. Earth terminal
15. Cable entry
16. Tumbler
18. Locking plate
30. Reset button

The switch in the KP has a snap-action function and the bellows moves only when the cut-in or cut-out value is reached.

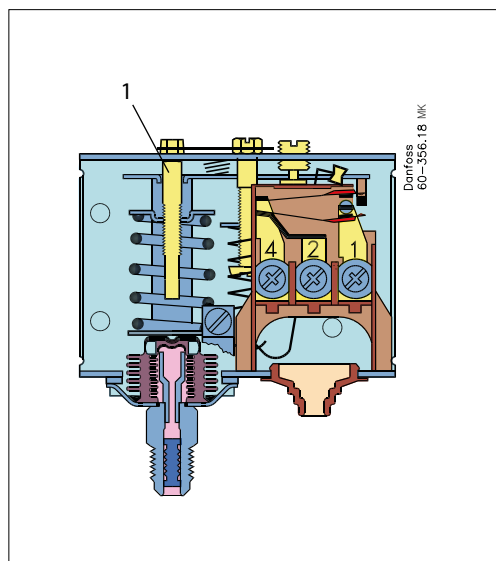
The bellows becomes connected to the low or high pressure side of the plant through connection (10) or (11).

The design of the KP pressure switch gives the following advantages:

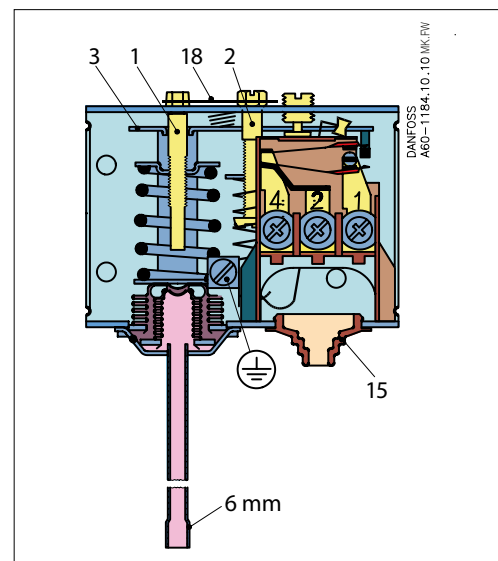
- ┆ high contact load
- ┆ ultra-short bounce time
- ┆ high resistance to pulsation
- ┆ vibration resistance up to 4 g in the range 0 – 1000 Hz
- ┆ long mechanical and electrical life

**Design**  
(continued)

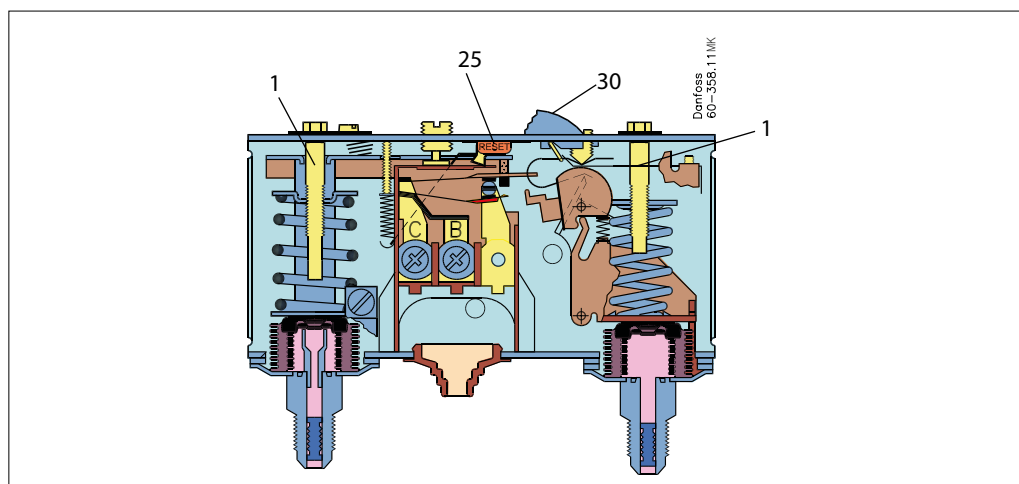
KP 7W, flare



KP 7W, solder



KP 7BS



- 1. Pressure setting spindle
- 2. Differential setting spindle
- 3. Main arm
- 15. Cable entry
- 18. Locking plate
- 25. Int. reset arm
- 30. Ext. reset button

Types KP1, KP1A, KP2, KP6, KP6A, KP7 and KP17 units with designation W, B or S have been tested and approved by TÜV, Rheinland in accordance with EN 12263.

Types KP6, KP6A, KP7 and KP17 have a double bellows: an outer bellows and a regulating bellows. When system pressure exceeds the set value, the KP will automatically stop the plant. The double bellows system prevents loss of charge in the event of bellows rupture.

A rupture in the inner bellows will cause the control cut-out pressure to fall about 3 times less the set value, thus the refrigeration plant compressor will stop.

A rupture in the outer bellows will cause the control cut-out pressure to fall to about 3 bar under the set value, thus providing a fail-safe function.

Versions with designation W or AW cut in again automatically when the pressure has fallen to the set value minus the differential.

Versions with designation B or AB can be cut in manually with the external reset button when the pressure in KP1 has increased 0.7 bar above set value and in KP6 and KP7 has fallen 4 bar under the set value.

Versions with designation S or AS can be cut in manually with the internal reset arm when the pressure has fallen 4 bar under the set value.

All KP pressure switches, including those which are PED-approved, operate independently of changes in the ambient temperature around the control housing. Therefore the set cut-out pressure and differential are held constant provided the permissible ambient temperatures are not exceeded.

**Terminology**

**Reset**

1. **Manual (Min. / Max.) reset:**  
Units with manual reset can only be reset during operation by activation of the reset button
2. **Automatic reset:**  
After operational stop, these units reset automatically
3. **Convertible reset:**  
Units with optional reset can be activated by automatic and/or manual reset

**Permissible working pressure**

The permissible working pressure is determined by the pressure that can be safely allowed in the refrigerating system or any of the units within it.

**Test pressure**

The test pressure is the pressure used in strength tests and/or leakage tests on refrigerating systems or individual parts in systems. The test pressure is designated  $P_e$ .

**“Snap function”**

A certain contact force is maintained until irrevocable “snap” is initiated. The time during which the contact force approaches zero is thus limited to a very few milliseconds. Therefore contact bounce cannot occur as a result of, for example, slight vibrations, before the cut-out point. Contact systems with “Snap function” will change over even when micro-welds are created between the contacts during cut-in. A very high force is created during cut-out to separate the contacts. This force immediately shears off all the welds. Thus the cut-out point of the unit remains very accurate and completely independent of the magnitude of the current load.

**Setting**

**Pressure switches with automatic reset – LP:**

Set the LP start pressure on the “CUT-IN” scale (range scale). One rotation of the low pressure spindle ~ 0.7 bar. Set the LP differential on the “DIFF” scale. One rotation of the differential spindle ~ 0.15 bar. The LP stop pressure is the LP start pressure minus the differential.

**Note:**

The LP stop pressure must be above absolute vacuum ( $P_e = -1$  bar)!

If with low stop pressure the refrigeration compressor will not stop, check to ensure that the differential value has not been set too high!

**Pressure switches with automatic reset – HP:**

Set the HP pressure on the “CUT-OUT” scale. One rotation of the HP spindle ~ 2.3 bar. Set the HP differential on the “DIFF” scale. One rotation of the differential spindle ~ 0.3 bar. The HP start pressure is the HP stop pressure minus the differential.

Start and stop pressures for both the LP and HP sides of the system should always be checked with an accurate pressure gauge.

**Pressure switches with manual reset**

Set the stop pressure on “CUT-OUT” scale (range scale).

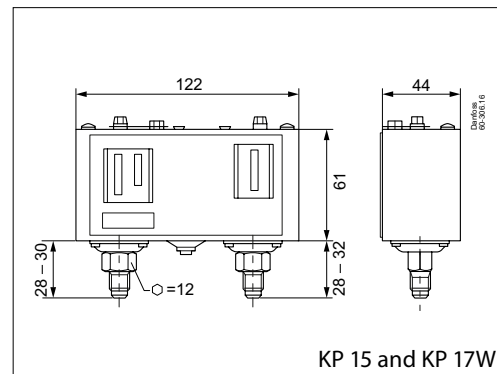
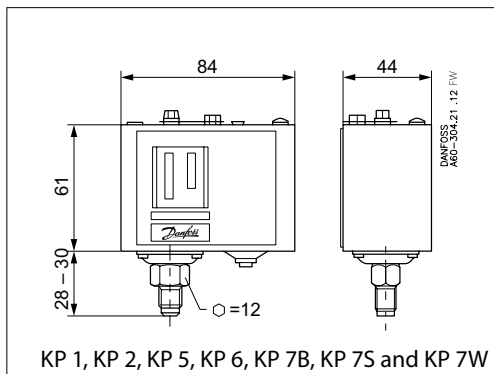
Low pressure switches can be manually reset when the pressure is equal to the stop pressure plus the differential.

High pressure switches can be manually reset when the pressure is equal to the stop pressure minus the differential.

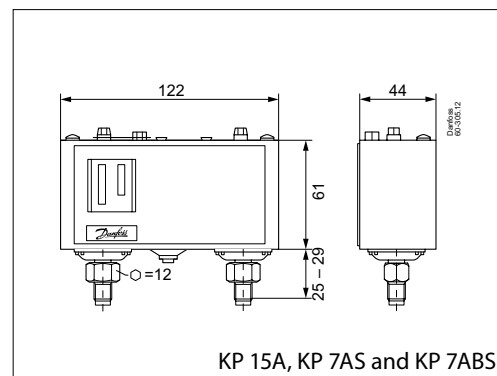
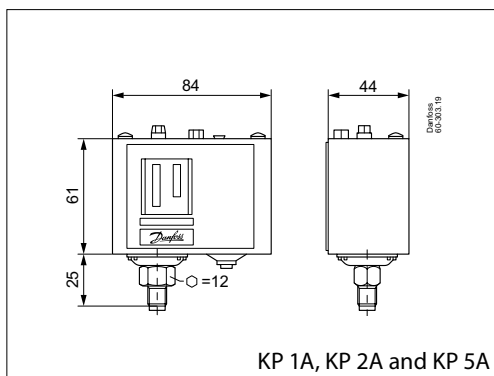


**Dimensions [mm]  
and weights [kg]**

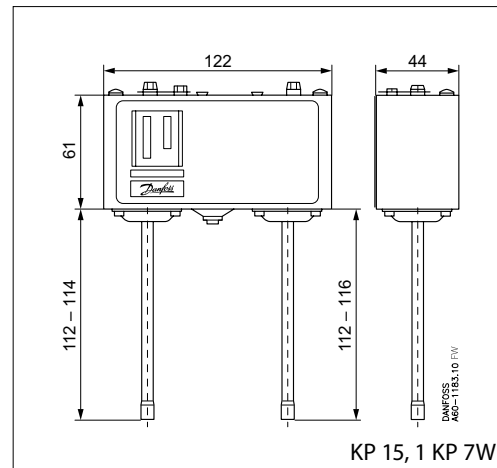
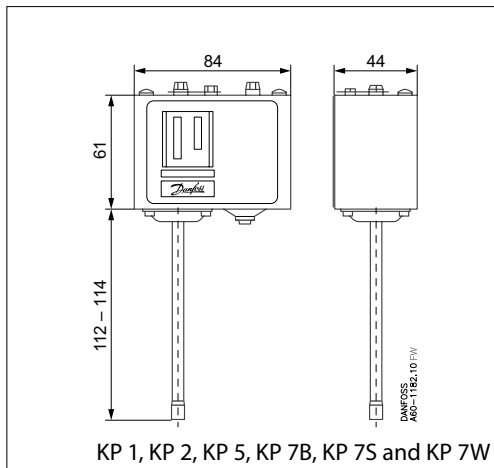
*Pressure switches with flare connection*



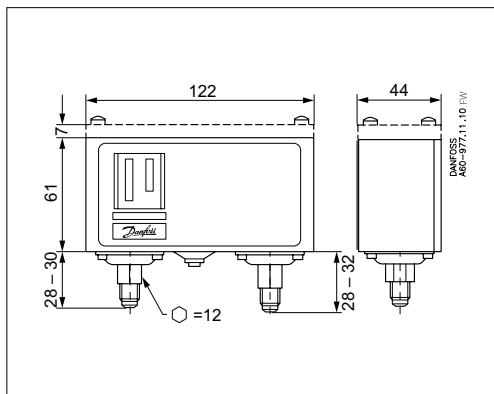
*M10 x 0.75 connection*



*Solder connection*



*KP with top cover*

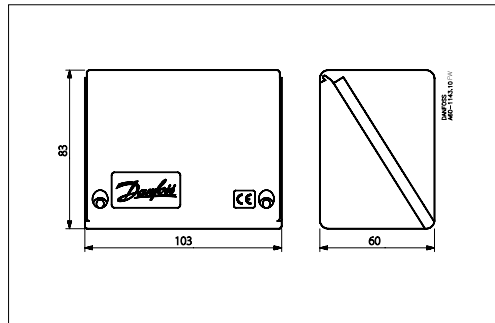


**Net weight:**

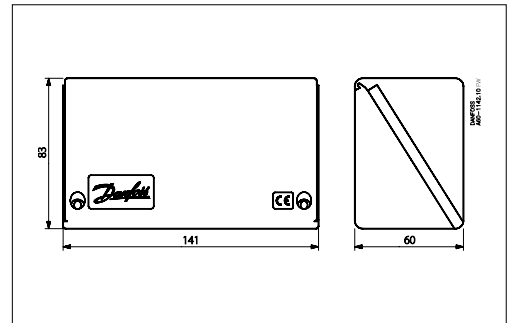
- KP 1, KP 2, KP 5 and KP 7: approx. 0.3 kg
- KP 15, KP 17 and KP 7BS: approx. 0.5 kg
- KP 1A and KP 5A: approx. 0.3 kg
- KP 15A and KP 7ABS: approx. 0.5 kg

**Dimensions [mm]  
and weights [kg]**  
(continued)

*IP55 enclosure*



*IP55 enclosure for dual types*



*Weld nipple for KP-A*

