

Data sheet

Pressure transmitter for general purpose

Type MBS 1700 and MBS 1750



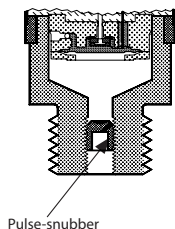
The compact pressure transmitters MBS 1700 and MBS 1750 are designed for use as a general purpose transmitter, and offers a reliable pressure measurement, even under harsh environmental conditions.

The version MBS 1750 with integrated pulse-snubber is designed for use in applications with severe medium influences like cavitation, liquid hammer or pressure peaks and offers a reliable pressure measurement, even under harsh environmental conditions.

Excellent vibration stability, robust construction, and a high degree of EMC / EMI protection equip the pressure transmitter to meet the most stringent industrial requirements.

Features

- Enclosure and wetted parts of acid-resistant stainless steel (AISI 316L)
- Pressure ranges in relative (gauge) from 0 – 25 bar
- Output signal: 4 – 20 mA
- Pressure connections:
 - G 1/4A & G 1/2A EN837 (MBS 1700)
 - G 1/4 DIN 3852-E, Gasket DIN 3869-15 (MBS 1750)
- Temperature compensated and laser calibrated

Application and media conditions (MBS 1750)

Application

Cavitation, liquid hammer and pressure peaks may occur in liquid filled systems with changes in flow velocity, e.g. fast closing of a valve or pump starts and stops.

The problem may occur on the inlet and outlet side, even at rather low operating pressures.

Media condition

Clogging of the nozzle may occur in liquids containing particles. Mounting the transmitter in an upright position minimizes the risk of clogging, because the flow in the nozzle is limited to the start-up period until the dead volume behind the nozzle orifice is filled.

The media viscosity has only little effect on the response time. Even at a viscosities up to 100 cSt, the response time will not exceed 4 ms.

Technical data
Performance (EN 60770)

Accuracy (incl. non-linearity, hysteresis and repeatability)	$\leq \pm 0.5\%$ FS (typ.)
	$\leq \pm 1.0\%$ FS (max.)
Non-linearity BFSL (conformity)	$\leq \pm 0.2\%$ FS
Hysteresis and repeatability	$\leq \pm 0.1\%$ FS
Thermal zero point shift	$\leq \pm 0.1\%$ FS/10K (typ.)
	$\leq \pm 0.2\%$ FS/10K (max.)
Thermal sensitivity (span) shift	$\leq \pm 0.1\%$ FS/10K (typ.)
	$\leq \pm 0.2\%$ FS/10K (max.)
Response time	< 4 ms
	Air and gases (MBS 1750) < 35 ms
Overload pressure (static)	6 × FS (max. 1500 bar)
Burst pressure	6 × FS (max. 2000 bar)
Durability, P: 10 – 90% FS	> 10 × 10 ⁶ cycles

Electrical specifications

Nom. output signal (short-circuit protected)	4 – 20 mA
Supply voltage [U _s], polarity protected	9 – 32 V d.c.
Supply – current consumption	–
Supply voltage dependency	$\leq \pm 0.1\%$ FS/10 V
Current limitation	28 mA (typ.)
Output impedance	–
Load [R _L] (load connected to 0 V)	$R_L \leq (U_s - 9 \text{ V})/0.02 \text{ A } [\Omega]$

Technical data

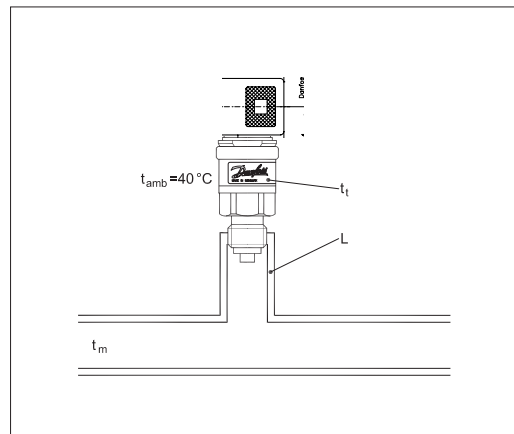
Environmental conditions

Sensor temperature range	Normal	-40 – 85 °C	
Max. media temperature		115 - (0.35 x ambient temp.)	
Ambient temperature range		-40 – 85 °C	
Compensated temperature range		0 – 80 °C	
Transport / storage temperature range		-50 – 85 °C	
EMC – Emission		EN 61000-6-3	
EMC – Immunity		EN 61000-6-2	
Insulation resistance		> 100 MΩ at 100 V	
Mains frequency test		Based on SEN 361503	
Vibration stability	Sinusoidal	15.9 mm-pp, 5 Hz-25 Hz 20 g, 25 Hz – 2 kHz	IEC 60068-2-6
	Random	7.5 g _{rms} , 5 Hz – 1 kHz	IEC 60068-2-64
Shock resistance	Shock	500 g / 1 ms	IEC 60068-2-27
	Free fall	1 m	IEC 60068-2-32
Enclosure		IP65	

Mechanical characteristics

Materials	Wetted parts	EN 10088-1; 1.4404 (AISI 316 L)
	Enclosure	EN 10088-1; 1.4404 (AISI 316 L)
	Electrical connections	Glass filled polyamid PA 6.6
Net weight		0.25 kg

Guideline for installations at high media temperature



Medium temperature (t ^m) 120 °C	
Heat isolator (L)	Transmitter temperature (t _t)
2 cm	85 °C
5 cm	75 °C
10 cm	70 °C

Data sheet | Pressure transmitter for general purpose, type MBS 1700 and MBS 1750
Ordering MBS 1700
Plug; Pg 9 (EN 175301-803-A)

Measuring range P ^{e1} [bar]	Output signal	Pressure connection	Code No.
0 – 6	4 – 20 mA	G ¼ A EN 837	060G6100
0 – 10			060G6101
0 – 16			060G6102
0 – 25			060G6103
0 – 6		G ½ A EN 837	060G6104
0 – 10			060G6105
0 – 16			060G6106
0 – 25			060G6107

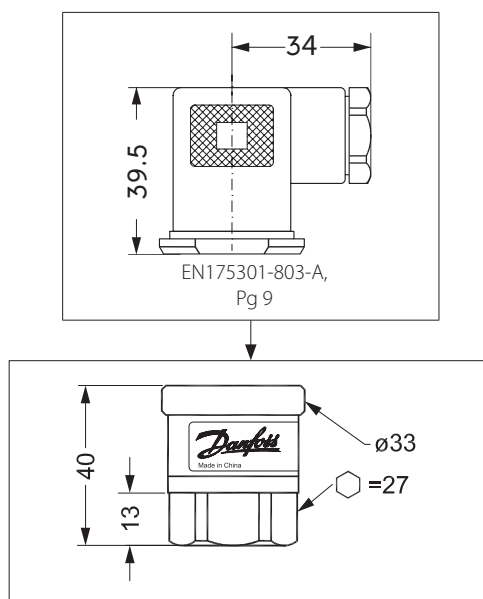
¹⁾ Relative / gauge

Ordering MBS 1750
Plug; Pg 9 (EN 175301-803-A)

Measuring range P ^{e2} [bar]	Output signal	Pressure connection	Code No.
0 – 60	4 – 20 mA	DIN 3852-E G ¼ Gasket DIN 3869-14	060G6108
0 – 100			060G6112
0 – 160			060G6109
0 – 250			060G6110
0 – 400			060G6111

²⁾ Sealed gauge

Dimensions



Type code	MBS 1700	MBS 1750
Recommended torque ¹⁾	30 – 35 Nm	30 – 35 Nm

¹⁾ Depends on different parameters as packing material, mating material, thread lubrication and pressure level

Electrical connections

Type code	1
	<p>EN 175301-803-A, Pg 9</p>
Ambient temperature	-40 – 85 °C
Enclosure (IP protection fulfilled together with mating connector)	IP65
Material	Glass filled polyamid, PA 6.6
Electrical connection, 4 – 20 mA output (2 wire)	<p>Pin 1: + supply Pin 2: ÷ supply Pin 3: Not used</p> <p>Earth: Connected to MBS enclosure</p>